

# TAM KALKIŞLI EMNİYET VENTİLİ (Yaylı, PN 16)

## FULL LIFT SAFETY VALVE (With Spring, PN 16)



### GENEL ÖZELLİKLER

Çalışma Sıcaklık Aralığı : -10 ... +120 °C (16 Bar), 200 °C (13 Bar),  
250 °C (11 Bar), 300 °C (10 Bar)

### STANDARTLAR

Sertifikalar : EAC  
Tasarım : TS EN ISO 4126  
Flanş Boyutları : TS EN 1092-2 (PN16)  
Alından Alına Boyutlar : TS EN 558 (Seri 8)  
Testler : TS EN 12266-1

### UYGULAMALAR

Doymuş buhar sistemleri.

### GENERAL SPECIFICATIONS

Working Temperature : -10 ... +120 °C (16 Bar), 200 °C (13 Bar),  
250 °C (11 Bar), 300 °C (10 Bar)

### STANDARTS

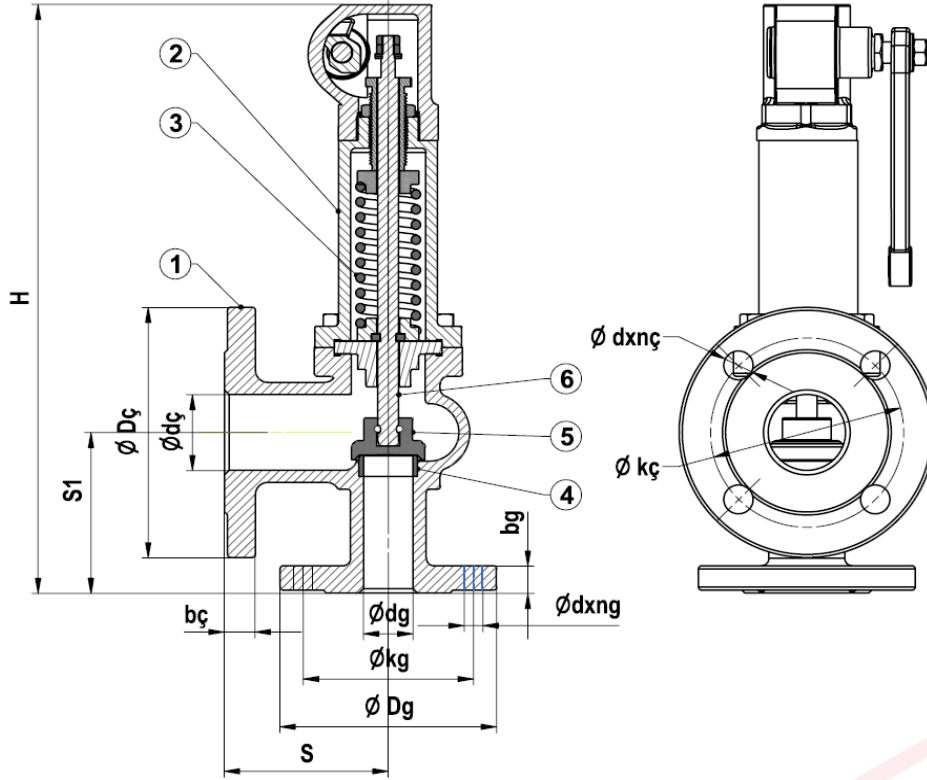
Certificates : EAC  
Design : TS EN ISO 4126  
Flange Dimensions : TS EN 1092-2 (PN16)  
Face to Face Dimensions : TS EN 558 (Seri 8)  
Tests : TS EN 12266-1

### APPLICATIONS

Saturated steam applications.

# TAM KALKIŞLI EMNİYET VENTİLİ

## FULL LIFT SAFETY VALVE



### Malzeme Özellikleri / Material Specifications

No	Parça İsmi / Part Name	Malzeme / Material
1	Gövde / Body	GGG 40 - EN GJS 400-15 - Sfero Döküm / Ductile Iron
2	Kapak / Bonnet	GGG 40 - EN GJS 400-15 - Sfero Döküm / Ductile Iron
3	Yay / Spring	X12CrNi18 8 - AISI 302 - Paslanmaz Çelik / Stainless Steel
4	Sit / Seat	X5CrNi18 10 - AISI304 - Paslanmaz Çelik / Stainless Steel
5	Klape / Disc	X5CrNi18 10 - AISI304 - Paslanmaz Çelik / Stainless Steel
6	Mil / Stem	X5CrNi18 10 - AISI304 - Paslanmaz Çelik / Stainless Steel

### Ölçüler / Dimensions

Anma Basıncı / Nominal Pressure	16 Bar							
Anma Çapı / Nominal Diameter	DN	25 / 40	32 / 50	40 / 65	50 / 80	65 / 100	80 / 125	100 / 150
S	100	110	115	120	140	160	180	
S1	105	115	140	150	170	195	220	
H	410	435	470	490	580	755	860	
Dg	115	140	150	165	185	200	220	
Dç	150	165	185	200	220	250	285	
dg	25	32	40	50	65	80	100	
dç	40	50	65	80	100	125	150	
kg	85	100	110	125	145	160	180	
kç	110	125	145	160	180	210	240	
bg	16	18		20		22	24	
bç	18	20		22	24	26		
dxng	14x4	19x4				19x8		
dxnç	19x4			19x8			23x8	
Ağırlık / Weight	Kg	13	16	18	21	33	50	70

Vana Boyutları  
Valve Dimensions

# TAM KALKIŞLI EMNİYET VENTİLİ

## FULL LIFT SAFETY VALVE

### TAM KALKIŞLI EMNİYET VENTİLİ TAHLİYE KAPASİTE TABLOSU

#### FULL LIFT SAFETY VALVE DISCHARGE CAPACITY TABLE

Tip: Tam Kalkışlı / Type: Full Lift			
p	Ayar Basıncı	Set Pressure	bar g
I	Doymuş Buhar	Saturated Steam	kg/h
II	Hava 0 °C ve 1013mbar	Air at 0 °C and 1013mbar	mn <sup>3</sup> /h
III	Su 20 °C'da	Water at 20 °C	10 <sup>3</sup> kg/h

DN	25			32			40			50			65			80			100			DN
d0	19			24			31			40			48			60			73			d0
p	I	II	III	I	II	III	I	II	III	I	II	III	I	II	III	I	II	III	I	II	III	p
0,2	85	99	3	137	158	5	228	264	9	380	440	14	547	633	20	854	989	32	1.265	1.464	47	0,2
0,5	136	172	5	230	282	7	352	440	12	561	583	20	866	1.063	29	1.413	1.737	45	2.097	2.577	67	0,5
1	227	288	6	373	473	10	583	726	16	891	1.122	27	1.400	1.779	39	2.288	2.905	61	3.396	4.311	91	1
2	366	470	9	600	771	14	913	1.155	23	1.408	1.804	38	2.254	2.897	55	3.683	4.733	86	5.465	7.024	128	2
3	484	628	11	793	1.028	17	1.188	1.540	28	1.837	2.376	47	2.780	3.863	68	4.891	6.311	106	7.226	9.365	156	3
4	601	784	12	984	1.286	20	1.485	1.925	33	2.310	3.025	54	3.720	4.829	78	6.045	7.889	122	8.970	11.707	181	4
5	718	941	14	1.176	1.542	22	1.782	2.310	36	2.750	3.575	61	4.419	5.788	88	7.217	9.466	137	10.709	14.047	202	5
6	833	1.099	15	1.366	1.800	24	2.090	2.728	40	3.190	4.180	66	5.130	6.762	96	8.181	11.044	150	12.436	16.390	222	6
7	949	1.256	16	1.554	2.057	26	2.365	3.080	43	3.652	4.840	72	5.841	7.728	104	9.541	12.622	162	14.158	18.730	239	7
8	1.064	1.412	17	1.745	2.314	28	2.640	3.520	46	4.125	5.390	77	6.552	8.692	111	10.702	14.201	173	15.881	21.073	256	8
9	1.179	1.570	18	1.933	2.572	29	2.970	3.960	49	4.565	6.160	82	7.259	9.658	118	11.858	15.778	183	17.595	23.414	271	9
10	1.295	1.727	19	2.121	2.830	31	3.245	4.340	52	5.005	6.655	86	7.965	10.625	124	13.010	17.355	193	19.306	25.756	286	10
12	1.523	2.041	20	2.496	3.343	33	3.850	5.060	54	5.940	7.920	89	9.375	12.556	128	15.315	20.511	198	22.727	30.430	473	12
14	1.751	2.355	21	2.869	3.858	35	4.345	5.830	57	6.710	9.020	91	10.774	14.488	131	17.600	23.668	204	36.900	44.200	507	14
16	1.979	2.670	22	3.240	4.373	37	4.840	6.490	59	7.590	10.230	94	12.173	16.420	134	19.886	26.823	210	39.440	50.125	542	16